



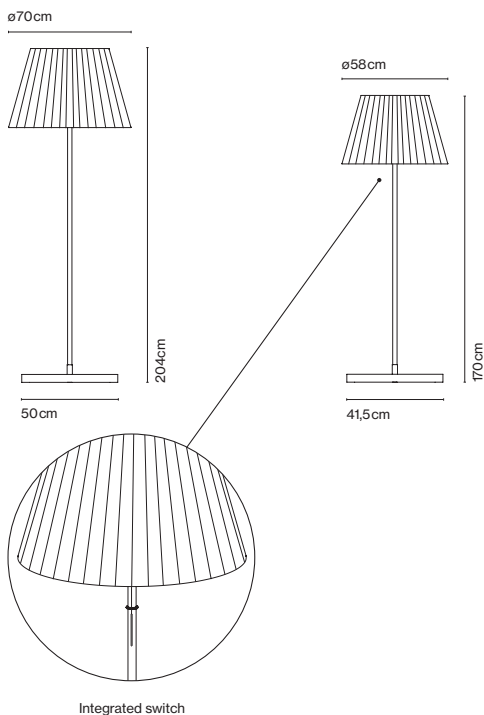
# TXL Joan Gaspar

**marset**



**TXL 205**

**TXL 170**



**TXL 205**

- 2x E27 FBT 22W
- 2x E27 LED Standard 8W

**TXL 170**

- 3x E14 FBT 15W
- 3x E14 LED 5W

Black electrical cord

Cast iron base with slate, and metallic stem, both with stainless cataphoresis treatment. Shade made of textilene ribbons. Diffuser in white acid etched glass.

**Structure**

- Grey

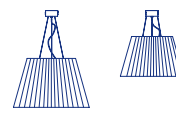
**Shade**

- White textilene



- Download** Assembly Instructions
- Download** 2D
- Download** 3D
- Download** Energy label

**Range**



info@marset.com  
www.marset.com

Designed to illuminate gardens and terraces, TXL emits an extremely warm light, just like an indoor lamp.