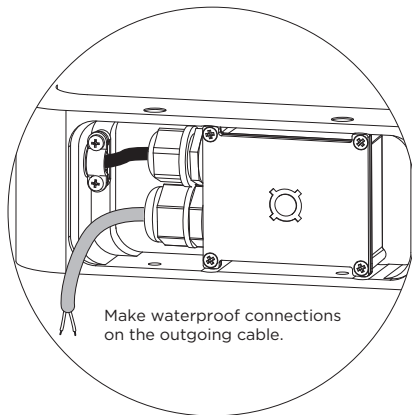


# TAPE floor surface

INSTALLATION INSTRUCTIONS | JUNE 2021

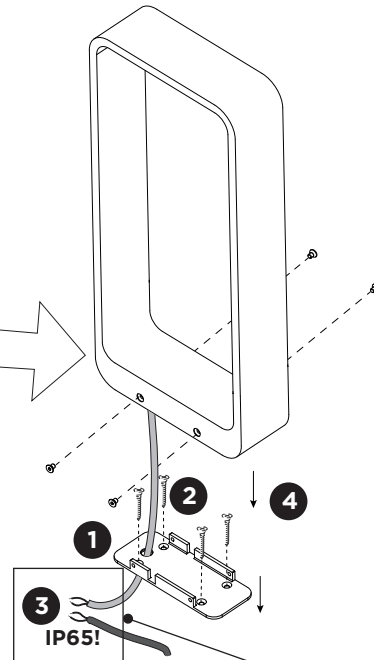


No need to open the driver box during installation.  
Product is already pre-cabled.

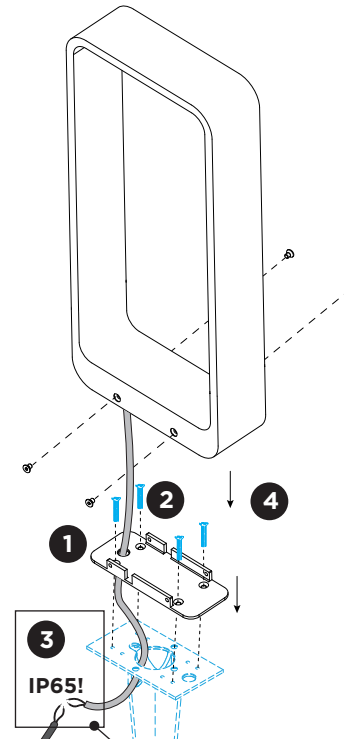


Make waterproof connections on the outgoing cable.

Mount on the floor

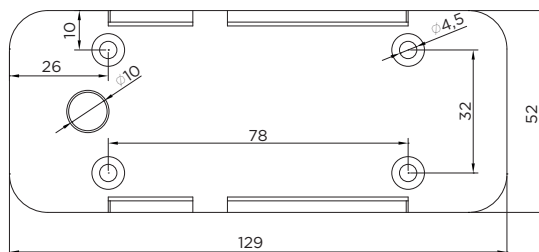


Mount with the ground spike

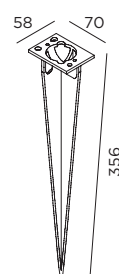


Keep the base clean and do not keep it covered with moss, leaves, bark, ...  
Permanent moisture and possible chemical processes from eg. fertilization might lead in some occasions to a corrosive reaction.

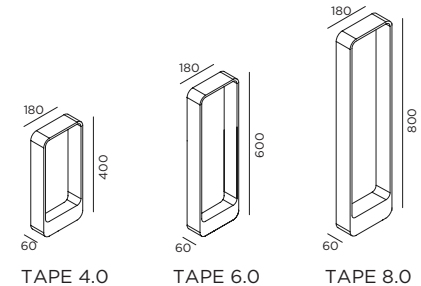
mounting base:



ground spike (optional):



## DIMENSIONS



## MOUNTING INSTRUCTION

- 1** Remove the mounting base from the luminaire.
- 2** Mount the base on the floor with screws (screws are not included). For mounting in the ground, with the spike, screws are included with the spike.
- 3** **POWER CONNECTION**  
Connect to 220-240V. Connect the wires with the waterproof connections.
- 4** Fix the housing on the mounting base.

### Included:

waterproof connectors:



### Optional:

IP68 connection box:

order ref. 73240706 = 2 WAYS 2x1,5 Ø6-8mm

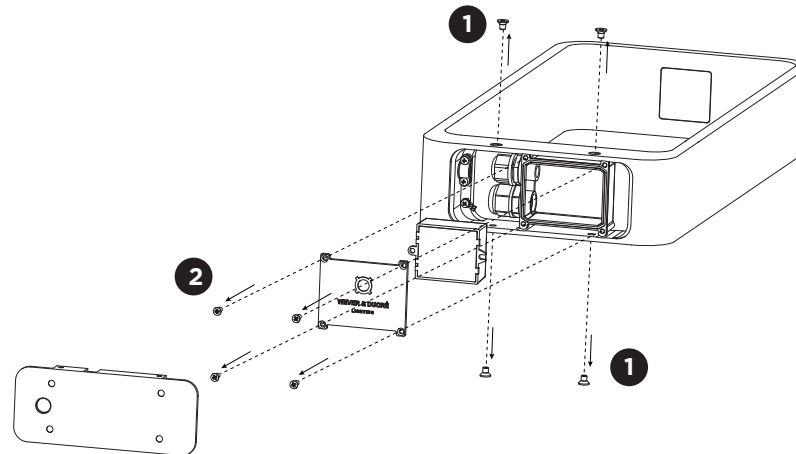


**WEVER & DUCRÉ**  
LIGHTING

**WEVER & DUCRÉ BVBA**  
Spinnerijstraat 99/21, 8500 Kortrijk, Belgium  
weverducre.com

# TAPE floor surface

INSTALLATION INSTRUCTIONS | JUNE 2021



## DISMOUNTING INSTRUCTION

### Driver

- 1** Loosen the side screws and remove the lamp housing from the mounting base.
- 2** Loosen the screws, remove the cover from the waterproof box and cut the cables from the driver.  
The driver can now be removed.