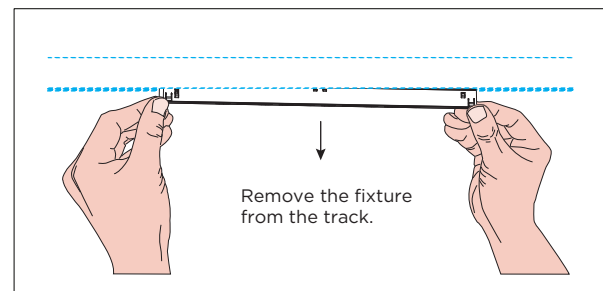
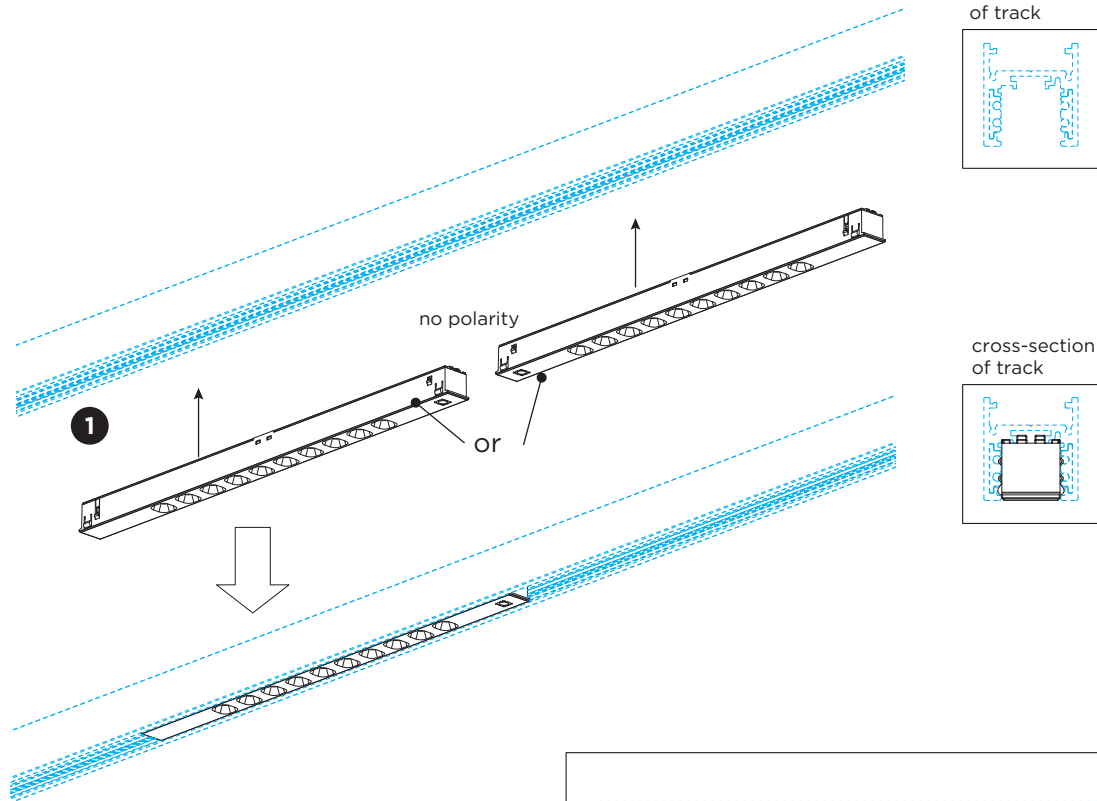
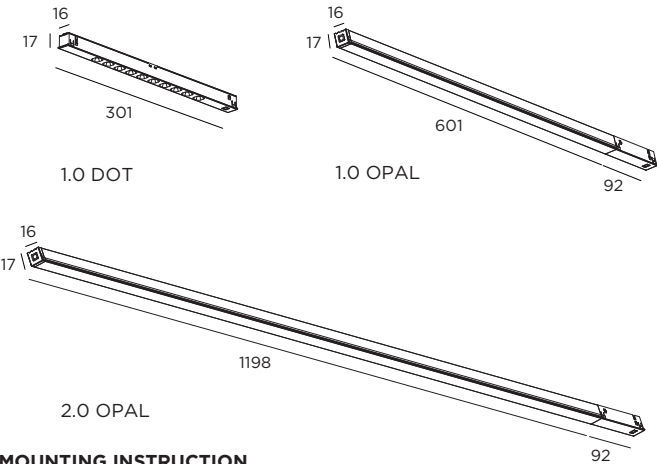


STREX MODULE

INSTALLATION INSTRUCTIONS | JANUARY 2022



DIMENSIONS

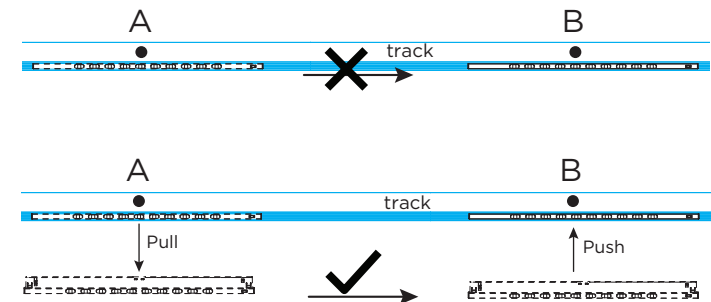


MOUNTING INSTRUCTION

- 1 Push the fixture into the track at the preferred location.



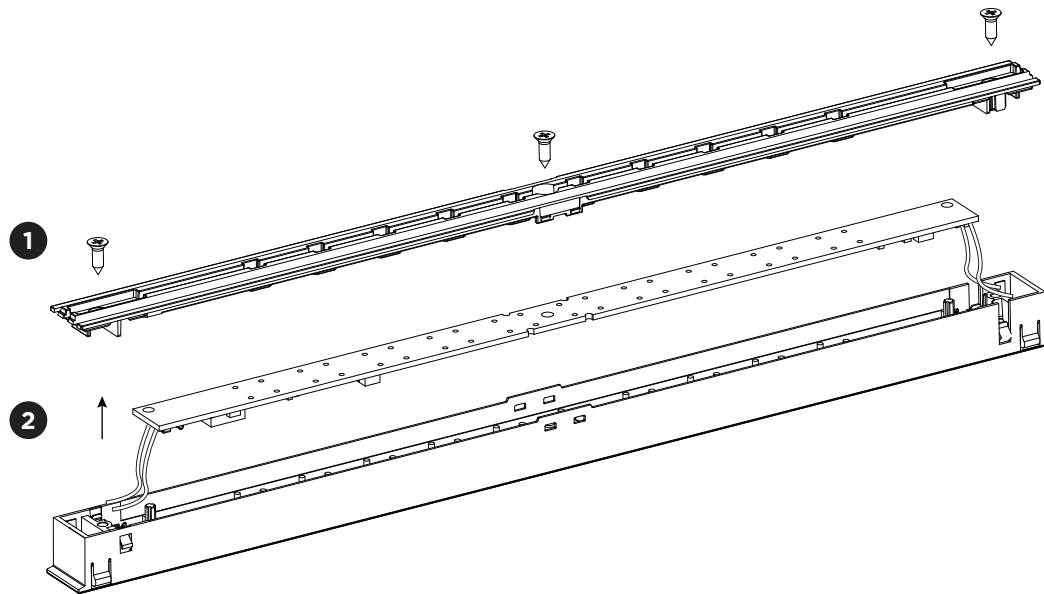
Note: the fixture is not allowed to slide in the track. If you want to change the location of the fixture in the track, please pull the fixture out of the track and install it in the correct position.



PB19-010-693-00_V1

STREX MODULE

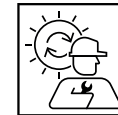
INSTALLATION INSTRUCTIONS | JANUARY 2022



DISMOUNTING INSTRUCTION

Light Source

- 1 Loosen the screws and remove the backplate.
- 2 Remove the LED board by removing the wires from the clamps.



To replace the light source please contact your Wever & Ducré customer service contact point.



This luminaire contains a light source with the energy class F.