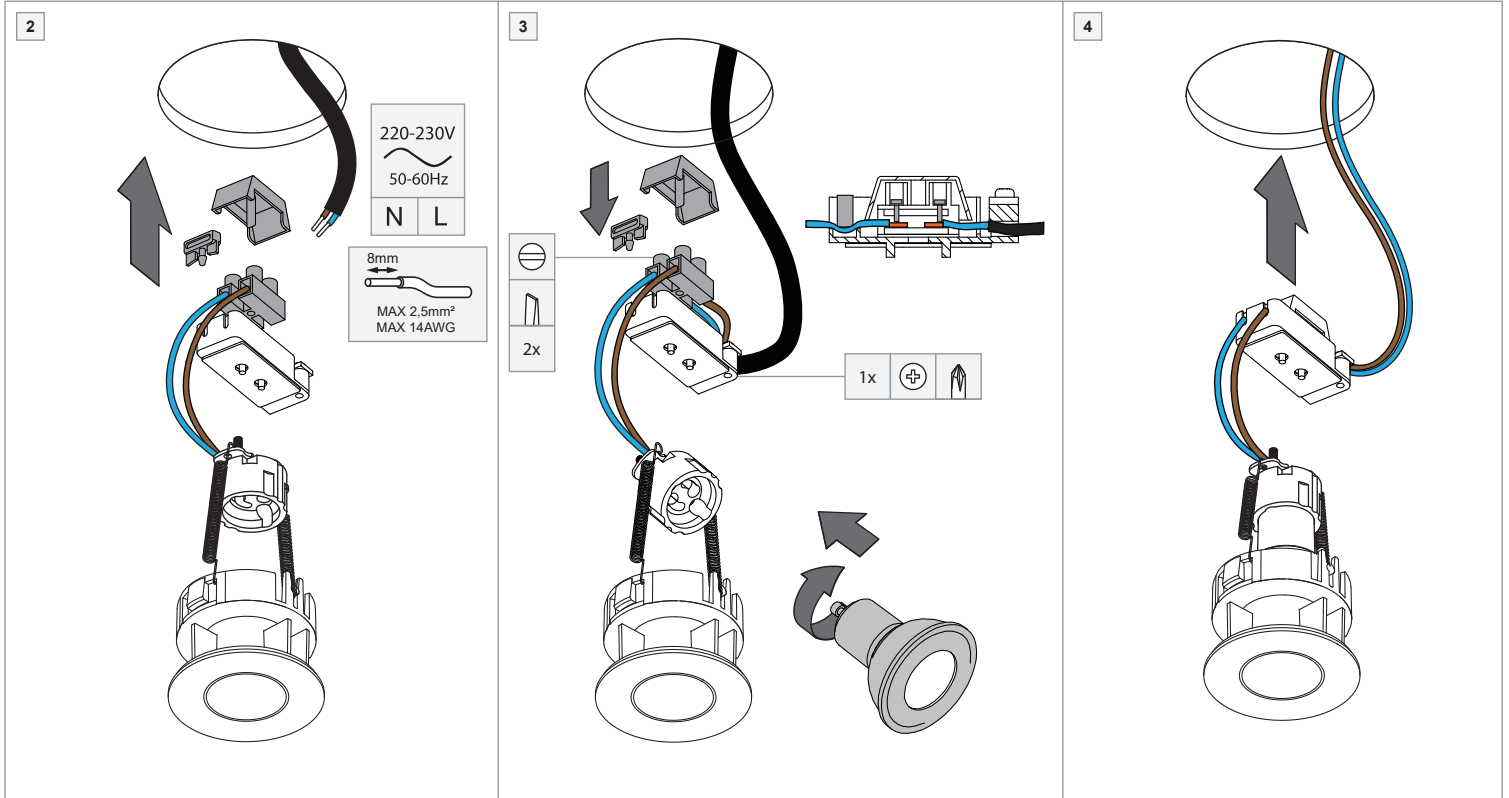


TETRIX Pinhole 62 GU10 for LED

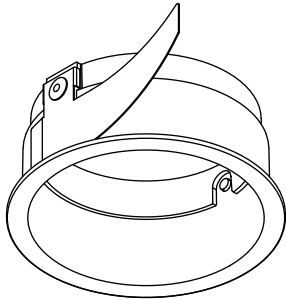
135165XX_135166XX_135167XX

- 1a Click Tetricx Pinhole 62 in the frame before connecting the wiring
- 1b Install the Trimless Ring before connecting the wiring

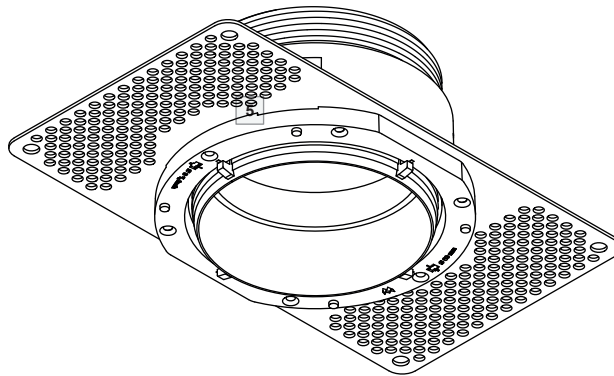


SHOULD BE USED WITH

TETRIX frame round 74
135100XX



TRIMLESS RING Ø62
13515430



TO BE COMBINED WITH

GU10 LEDLAMP

