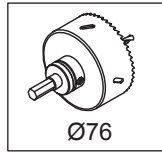
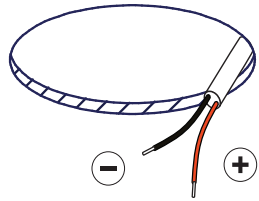


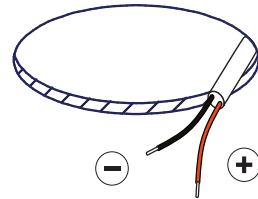
Smart Cake 82 Adjustable LED GE

133200XX - 133201XX - 133202XX - 133210XX - 133211XX - 133212XX - 133220XX - 133221XX - 133222XX

1

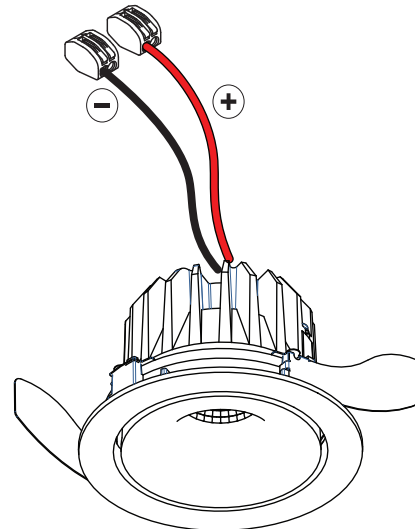


2

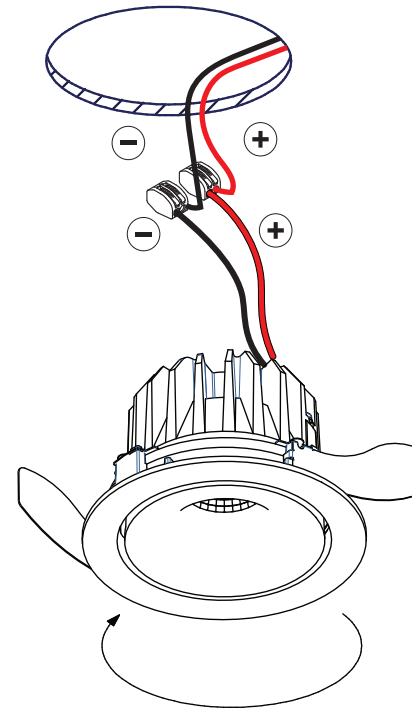


Drive Current (mA)	Forward Voltage		Power (W)
	min (Vf)	max (Vf)	
350	16,5	19,2	6,2
500	17,1	19,8	9,2

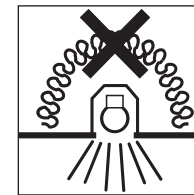
For serial connection, respect polarity!



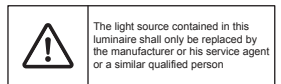
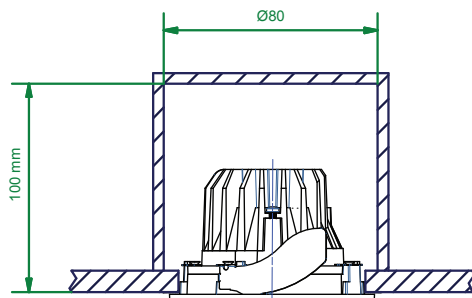
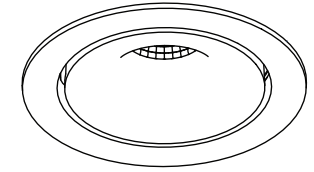
3



install : Twist clockwise
uninstall : Twist counterclockwise



4



CAN BE USED WITH

Driver:
See driver matrix - latest version on website
www.supermodular.com or check sales contact

Accessories:
See catalogue or website

