



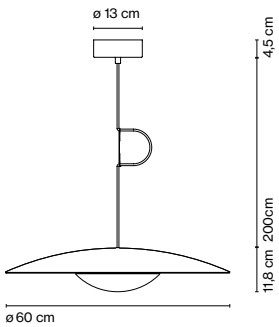
Ginger

Joan Gaspar

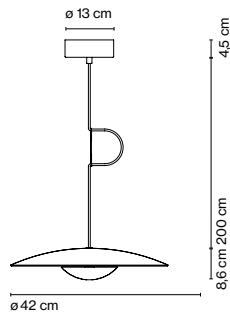
marset



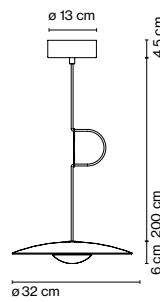
Ginger 60



Ginger 42



Ginger 32



Wood is a great ally of cozy lighting. It is a material that is hard to mold, a challenge that the Ginger collection neatly resolves. The combination of sheets of wood and paper pressed together under high pressure achieves a laminate that appears almost entirely flat.

Ginger 60 / RSC
LED SMD 20,8W 700mA
2700K 3023lm (included)

Ginger 42 / RSC
LED SMD 15,4W 700mA
2700K 2130lm (included)

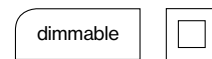
Ginger 32 / RSC
LED SMD 7,8W 700mA
2700K 1066lm (included)

- Oak
- Wenge

Black electrical cord

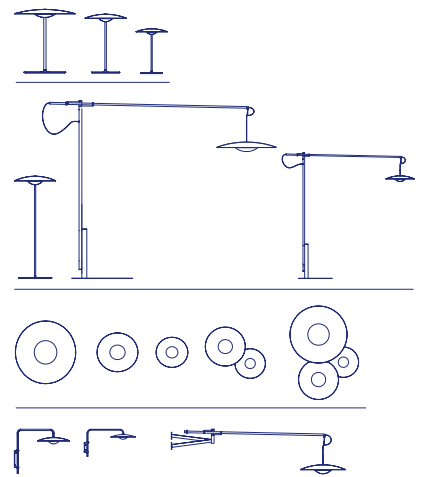
Recessed canopy available

Pressed wood diffuser of 4 mm in natural oak or wenge. Injected and lacquered black metal matte aluminium dissipater.



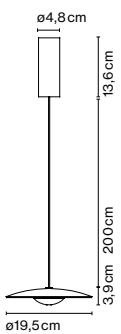
- [Download](#) Assembly Instructions
- [Download](#) Photometric Data
- [Download](#) 2D
- [Download](#) 3D
- [Download](#) Energy label

Range

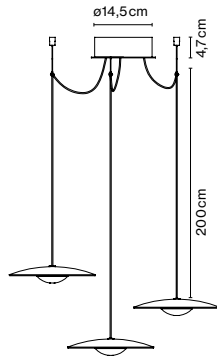




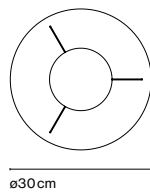
Ginger 20



Ginger 20x3



**Ginger 20x3:
Canopy accessory**



Ginger 20

LED SMD 4W 350mA 2700K 546lm (included)

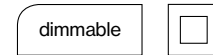
Ginger 20x3

3x LED SMD 4W 350mA 2700K 546lm (included)

- Oak - Oak
- Wenge - Wenge
- Oak - White
- Wenge - White

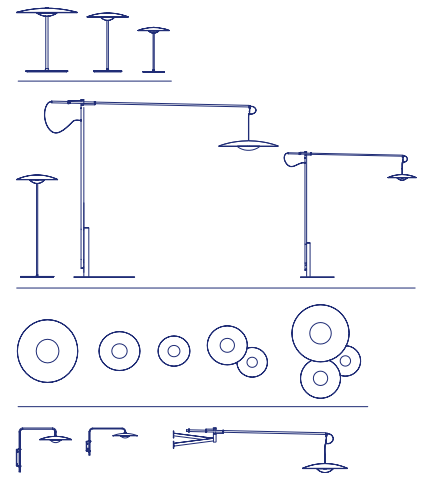
Black electrical cord

Pressed wood diffuser of 4 mm in natural oak or wenge. Injected and lacquered black metal matte aluminium dissipater.



- [Download](#) Assembly Instructions
- [Download](#) Photometric Data
- [Download](#) 2D
- [Download](#) 3D
- [Download](#) Energy label

Range



Watch the video

info@marset.com
www.marset.com

Wood is a great ally of cozy lighting. It is a material that is hard to mold, a challenge that the Ginger collection neatly resolves. The combination of sheets of wood and paper pressed together under high pressure achieves a laminate that appears almost entirely flat.

How Ginger illuminates

