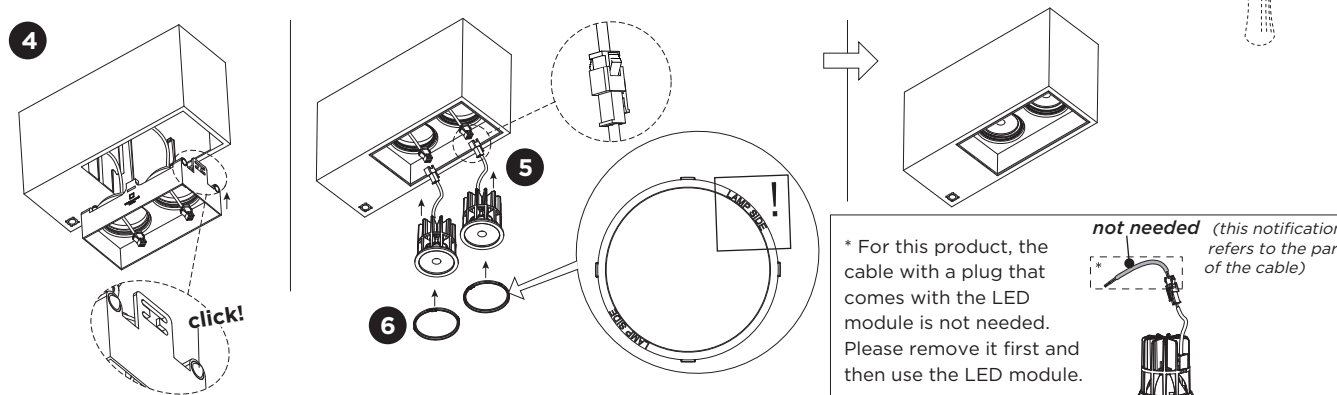
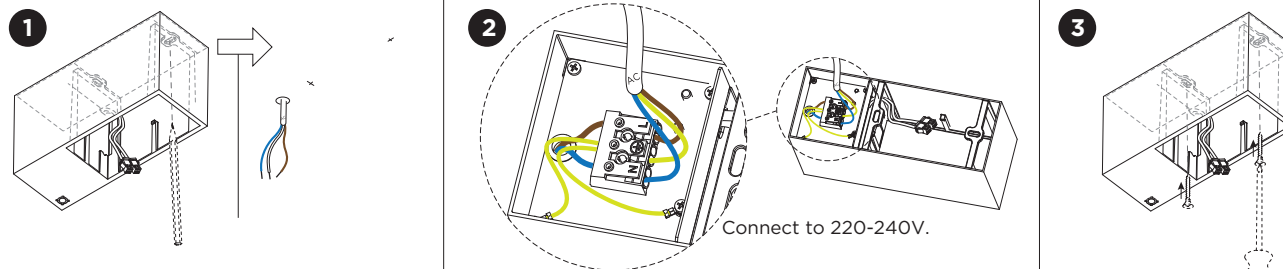


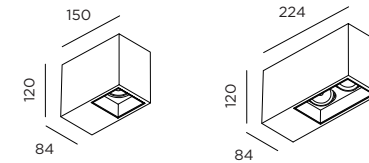
PLANO ceiling surface

INSTALLATION INSTRUCTIONS | DECEMBER 2022

installation for 1.0 / 2.0 LED:



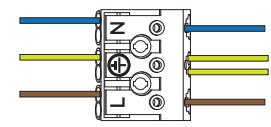
DIMENSIONS



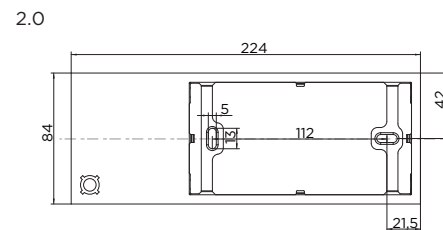
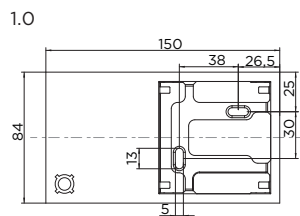
1.0 LED

2.0 LED

MOUNTING INSTRUCTION

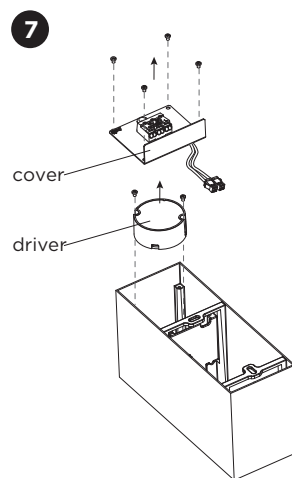
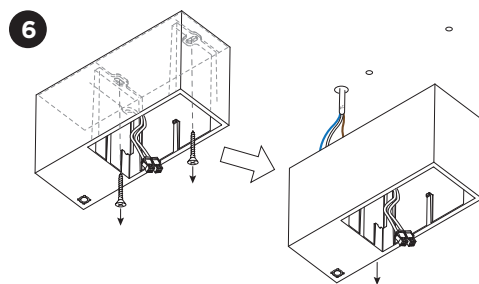
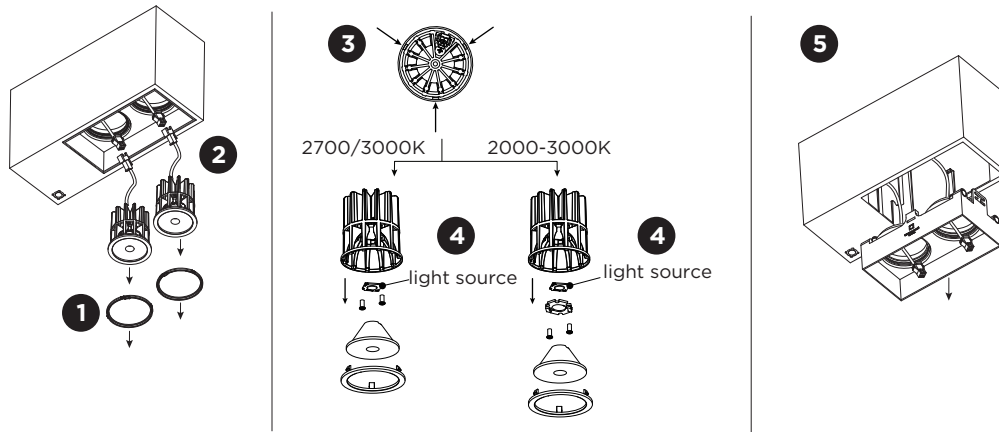
- 1** Mark and drill the fixation holes.
 - 2** POWER CONNECTION
Connect to 220-240V.
- 
- 3** Mount the mounting base on the ceiling with screws (screws are not included).
 - 4** Push the housing into the mounting base.
 - 5** Connect the plugs between the LED module(s) and the mounting base.
 - 6** Fix the LED module(s) with the spring clip(s).

Mounting base:



PLANO ceiling surface

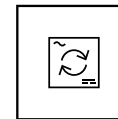
INSTALLATION INSTRUCTIONS | DECEMBER 2022



DISMOUNTING AND RECYCLING INSTRUCTIONS

Light source & driver

- 1 Remove the spring clip(s) to remove the LED module(s).
- 2 Disconnect the plugs between the LED module(s) and the mounting base.
- 3 Push at the three points to loosen the front ring.
- 4 Take out the lens(es) and unscrew the light source(s) or holder(s) to remove the light source(s).
- 5 Remove the housing from the mounting base by pulling.
- 6 Remove the mounting base from the ceiling by loosening the screws and disconnect the power connection.
- 7 Remove the cover from the mounting base by loosening the screws and then remove the driver by loosening the screws and wires.



The driver can be replaced by the end user.



The light source is replaceable by an authorized professional.
For advice contact your Wever & Ducré customer service contact point.

colour temperature	energy class
2700/3000K	A ↑ G D
2000-3000K	A ↑ G G