

FLOS

03.9206.14A Black/Black

Light Shadow Fixed No Trim 2 Spots Optic Flood

NEW

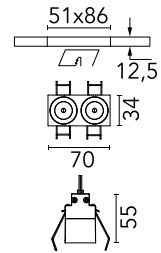
Designed by FLOS Architectural



Recessed integrated luminaire with 2 LED lighting spots. Remote power supply included (220-240V).

Are you a professional and your project needs consulting and support?

BOOK AN APPOINTMENT



Main specifications

Mounting	Ceiling recessed
Environments	Indoor dry location
LED type	Power LED
Lamp category	LED
Iicos	No
Number of heads	1
Power (W)	7
Source flux (lm)	540
System flux (lm)	434

Physical

Colour	Black/Black
Trim	No
Orientation	Fixed
Recessed depth (mm)	150
Length (mm)	70
Net weight (kg)	0.25
IP internal	20
IP external	55

Download

Mounting instructions [ZIP](#)

Photometric Files

LDT / IES [ZIP](#)

Technical Drawings

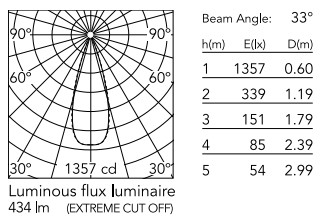
2D [ZIP](#)

3D [ZIP](#)

[Bim](#) [ZIP](#)



Schematic light drawing



Photometric

Lighting type	Direct
Light distribution	Symmetric
CCT (K)	2700
CRI>	90
Beam angle C0-180 (°)	33
Beam angle C90-270 (°)	33

Electrical

Insulation class	II
Frequency (Hz)	50/60
Main voltage (Vac)	220.00
Alternating current voltage (Vac)	230
LED voltage Vf (Vdc)	8
Driver	Remote included
Dimmable	No
Dimming type	Non Dimmable
Emergency type	No

Notes

It requires a pre-installation frame, to be ordered separately.

Accessories & Power Supply

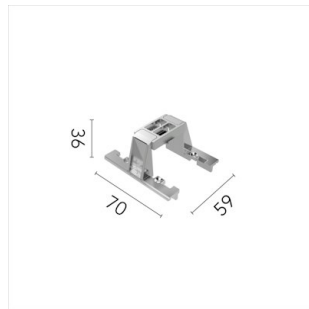


REQUIRED
Frame

Installation

08.0510.00

Pre-installation No Trim Frame 2L
Fix



OPTIONAL
Accessory

Mounting

08.0052.90

Accessory for mounting of No
Trim Fix continuous line.