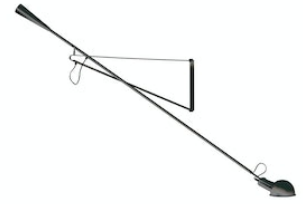


FLOS

■ A0300030 Black

265

Designed by Paolo Rizzatto, 1973

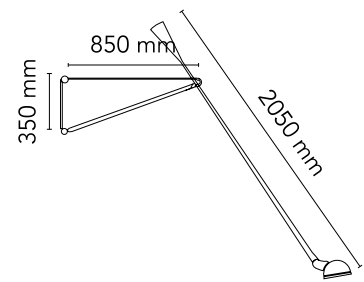


Halogen - 75W

Wall lamp providing direct light. Painted steel adjustable arm and reflector. Chrome-plated brass reflector support. Cast iron tapered counterweight. Painted steel wall fixture.

Are you a professional and your project needs consulting and support?

[BOOK AN APPOINTMENT](#)



Main specifications

EAN	8059607012277
Mounting	Wall
Environments	Indoor dry location
Light Source Type	Bulb
Lamp category	Halogen
Lamp holders	E27
Ilcos	HSGSA
Number of heads	1
Power (W)	75

Physical

Colour	Black
Length (mm)	2050
Cord length (mm)	2030
Net weight (kg)	5.7
Package height (mm)	2110
Package width (mm)	150
Package length (mm)	390
Package volume (m3)	0.12
IP internal	20

Download

[Mounting instructions](#)  PDF

[Spare Parts](#)  PDF



Photometric

Lighting type	Direct
Light distribution	Asymmetric

Electrical

Insulation class	II
Frequency (Hz)	50/60
Main voltage (Vac)	220-250
LED voltage Vf (Vdc)	null
Dimmable	Yes
Dimming interface	Switch Integrated (Remote Dimmable)
Plug type	Type C
Batteries inside	No

Bulbs



NOT INCLUDED

RF32563

LED Lamp 11.5W E27 220-240V
2700K A70

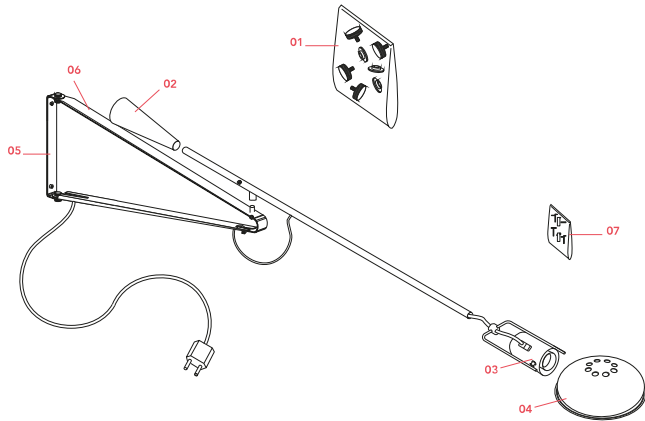


NOT INCLUDED

RF32564

LED Lamp 11.5W E27 220-240V
3000K A70

Spare Parts



- | | | |
|-----|--|-----------|
| 01. | Screw set for wall attachment | RA0300200 |
| 02. | Black counterweight | RF01856 |
| 03. | Black lamp holder with reflector support and electrical cable assembly | RF01396 |
| 04. | Black reflector | RF00785 |
| 05. | Black wall attachment | RF02566 |
| 06. | Black triangle bracket support | RF02564 |
| 07. | Screws bag group stm3x 3 ce c.10 p | RF11719 |

DOWNLOAD



RA0300200

Screw set for wall attachment



RF01856

Black counterweight



RF01396

Black lamp holder with reflector support and electrical cable assembly



RF00785

Black reflector



RF02566

Black wall attachment



RF02564

Black triangle bracket support



RF11719

Screws bag group stm3x 3 ce c.10 p