

Type 75™ Mini Lamp with Wall Bracket

ANGLEPOISE®

Type 75™ Mini Collection | Technical Sheet

Launched In 2011 | Designed by Sir Kenneth Grange

Product

Lamp with Wall Bracket - Slate Grey
Lamp with Wall Bracket - Alpine White
Lamp with Wall Bracket - Jet Black

Accessories are colour-matched.
Lamps with accessories come with a table base.

Description

Our Type Range Wall Bracket gives you the flexibility to mount any of our Type Range lights to the wall, freeing up valuable surface space and allowing you to focus your task light precisely where it is most needed. New features include a more subtle profile, a broader back plate (for better stability), options for hardwiring a lamp or trailing cable to the wall socket and four beautiful, colour-matched finishes.

Materials

- Matt painted finish
- Aluminium shade
- Aluminium arms
- Chrome plated fittings
- Anglepoise® constant tension spring technology
- Die cast aluminium wall bracket
- IP20 rating
- Plated steel back plate on wall bracket

Dimensions

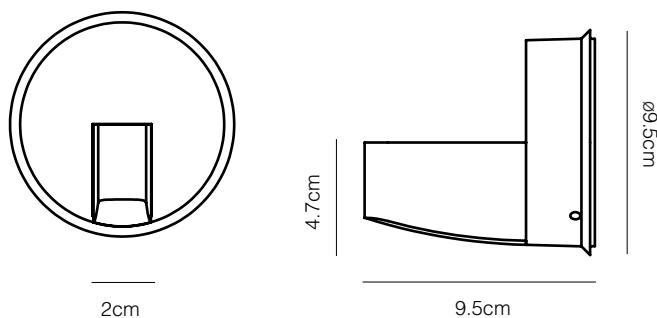
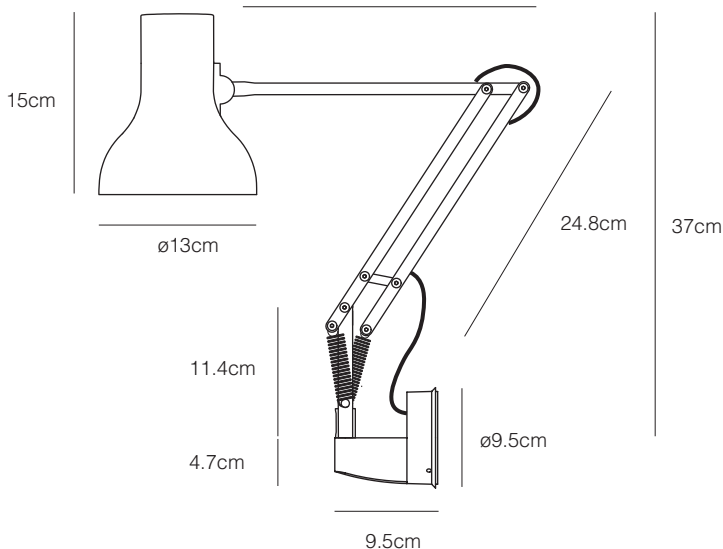
- Shade diameter: 13cm
- Shade height: 15cm
- Max reach: 50cm (from base to shade)
- Cable length: 180cm
- Lamp Packaging (L x W x H): 23cm x 16.5cm x 46.5cm
- Lamp Packaged Weight: 2.79kg
- Bracket Packaging (L x W x H): 10cm x 6cm x 10cm
- Bracket Packaged Weight: 0.12kg

Electrical

- Voltage 220/240V, 50/60Hz
- Class II - Double insulated
- Note: Bulb weight critical for balance. Approximate bulb weight 25-45g
- Integrated shade switch
- Plug: 2-pin Europlug to CEE 7/16
- E27 lamp holder
- Maximum permitted bulb: 20W CFL / 10W LED E27
- Supplied with compatible 6W LED E27 bulb
 - Luminous Intensity: 470lm
 - Life: 15,000 Hours
 - Non-dimmable
 - Colour Temperature: 2700K
 - CRI (Ra): 80



25cm



2cm

9.5cm

0.9.5cm

4.7cm



Bulb
included