

Assembly & Care Guide

Lantern Table Lamp, Medium

The Lantern Table Lamp is carefully handcrafted and therefore every item is unique. It may occur different expression in the material and surface, with smaller marks and minor deviations.

SAFETY INSTRUCTIONS

Please read the instructions carefully and retain it for future reference. **New Works Aps** is not responsible for any faults or damages caused by not following the instructions correctly.

Turn off electricity at main circuit breaker panel before beginning the installation. Warning all wires are connected - when unpacking the box, be careful not to pull wires, as this may result in a bad connection.

Follow the guidance **220-240V~ 50/60Hz, E27 LED Max 11W - Dimmable bulb only** (Bulb not included) The light bulb and lamp exterior may get hot after prolonged use.

Turn off the power before replacing the bulb. Make sure the bulb has sufficient time to cool down. Do not subject the lamp to any shock as this may cause the lamp to brake.

Keep the product out of children's reach. Dispose the packaging and do not allow children to play with it. Do not modify the product in any way.

CLEANING

Turn off the electricity before cleaning the lamp. Wipe the lamp exterior with a soft dry or moist cloth. Do not use any abrasive cleaning tools, and never use strong cleaning agents such as household glass cleaner, white spirit or turpentine.

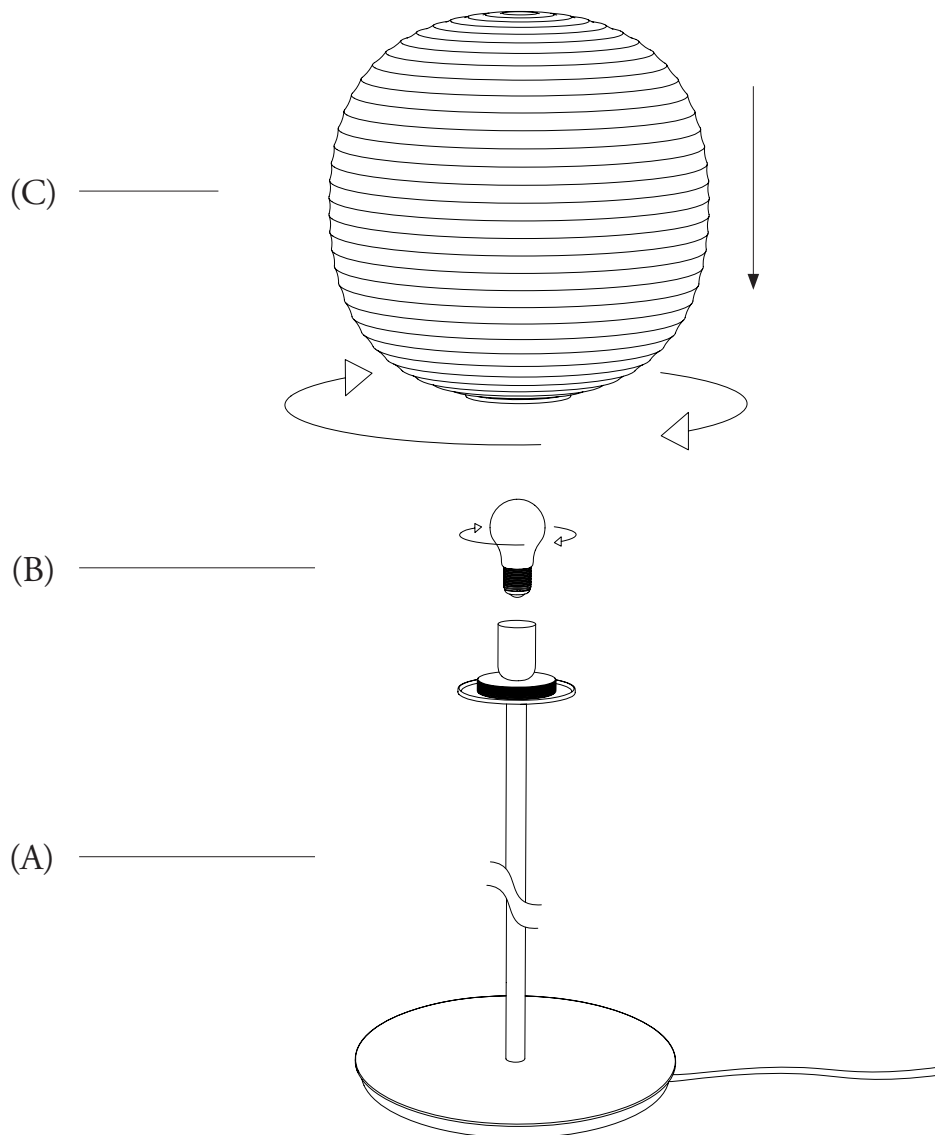
MORE INFORMATION

For more information such as product overview, material description and disclaimers - please visit our website at **www.newworks.dk** for further information. If you have any questions or comments, please do not hesitate to contact us at **info@newworks.dk**.

NEW WORKS.

Assembly & Care Guide

Lantern Table Lamp, Medium



ASSEMBLY:

1. Place the lamp base **(A)** on a leveled surface.
2. Install the light bulb **(B)** (only approved dimmable bulbs can be used)
3. Mount the glass shade **(C)** by mounting it on top of the table base, tighten it by turning it clockwise.

Note: When moving the lamp make sure always to lift it by its base and never by the glass shade, as this may cause the lamp to brake.

NEW WORKS.