

# TUBE

03-Jun.-2016

## 1.0 LED

LED 8W | 220-240VAC | 50-60Hz | COB 2-step | incl. PS | phase-cut dim

CE IP65 960°C 0,9m 38°

3000K | >80CRI | 480lm

white texture  
dark grey texture  
black texture

711164W4  
711164D4  
711164B4

## 1.0 PAR16

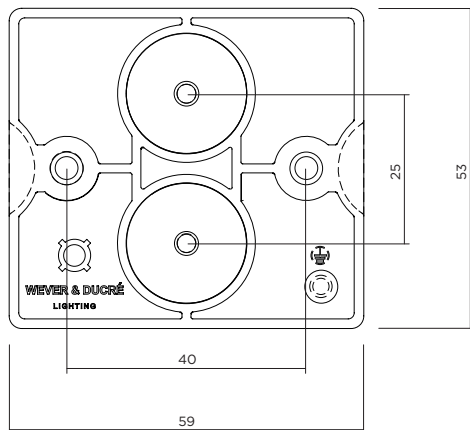
PAR16 max. 35W | GU10 | 220-240VAC | 50-60Hz

CE IP65 960°C 0,9m

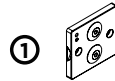
white texture  
dark grey texture  
black texture

711120W0  
711120D0  
711120B0

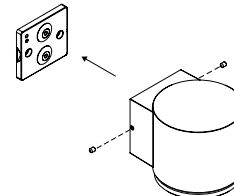
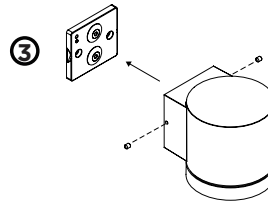
OPTIONAL  
for PAR16 lamps see our catalogue



### 1.0 LED



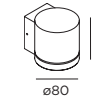
### 1.0 PAR16



4



## DIMENSIONS



1.0 LED



1.0 PAR16

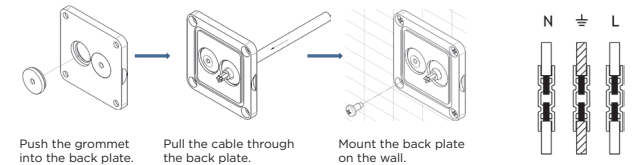
## MOUNTING INSTRUCTION

- Remove the backplate and fixate it to the wall with screws.

## POWER CONNECTION

- Exterior: WATERPROOF Connection

IP-rated connections for wall fixtures: cable isolation for round cables  $\varnothing$  4.5-7.5 mm, should be in the grommet. For cable use  $\varnothing$  7.0-9.5 mm: replace the grommet with the other grommet in the bag.



- Fixate the fixture base to the back plate with side screws

- For PAR16:  
Remove the glass cover by turning it.  
Insert the lamp.  
Turn the glass cover back on the fixture.