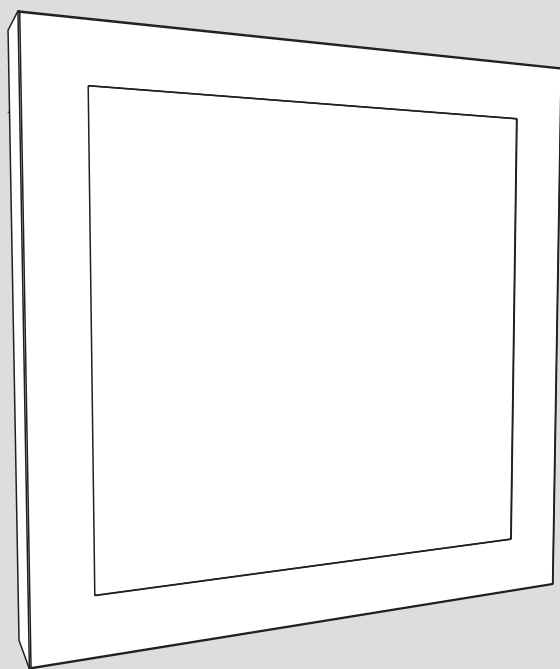


Artemide®

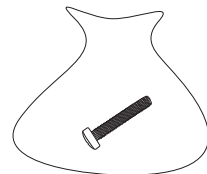
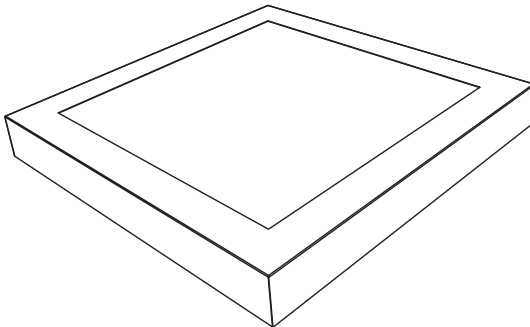
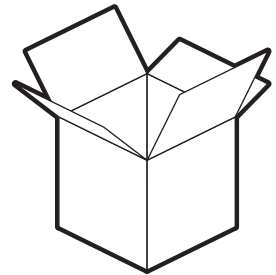
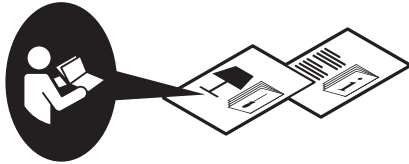
Altrove RGB LED

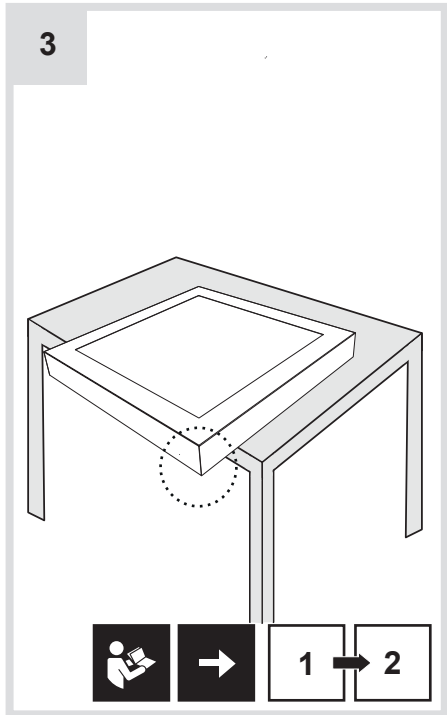
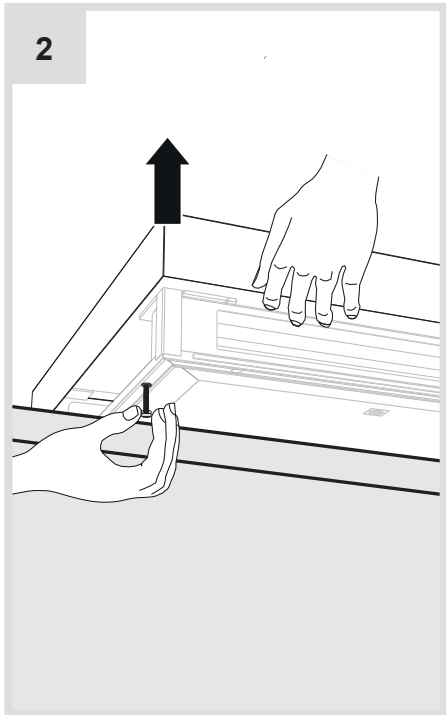
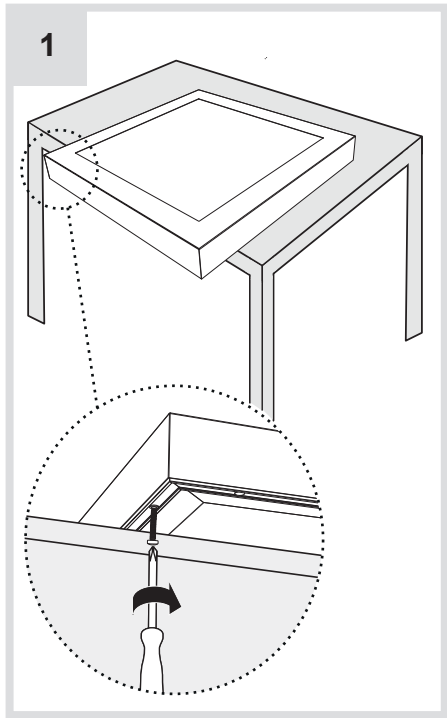
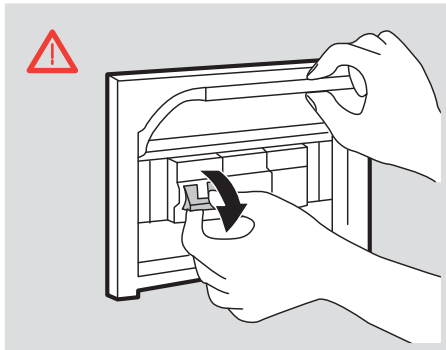
design
Carlotta de Bevilacqua



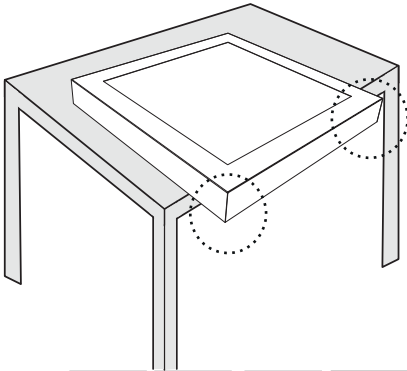


i

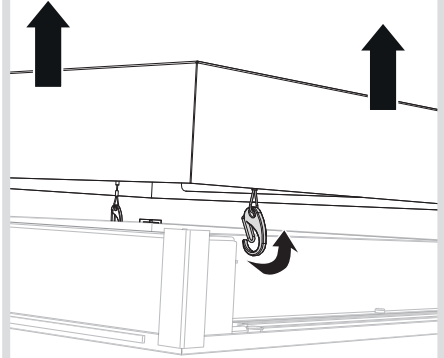




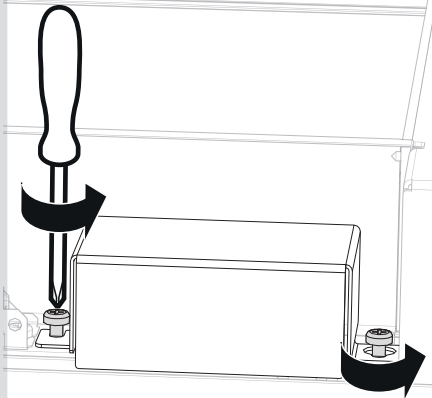
4



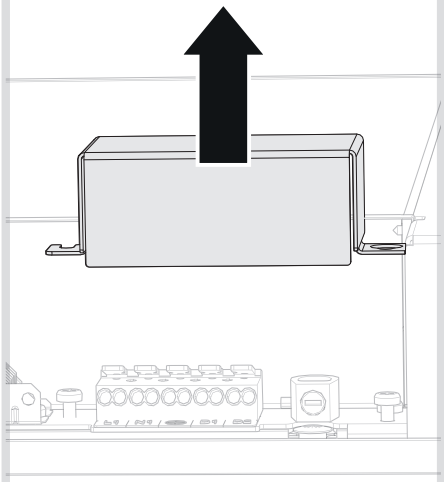
5



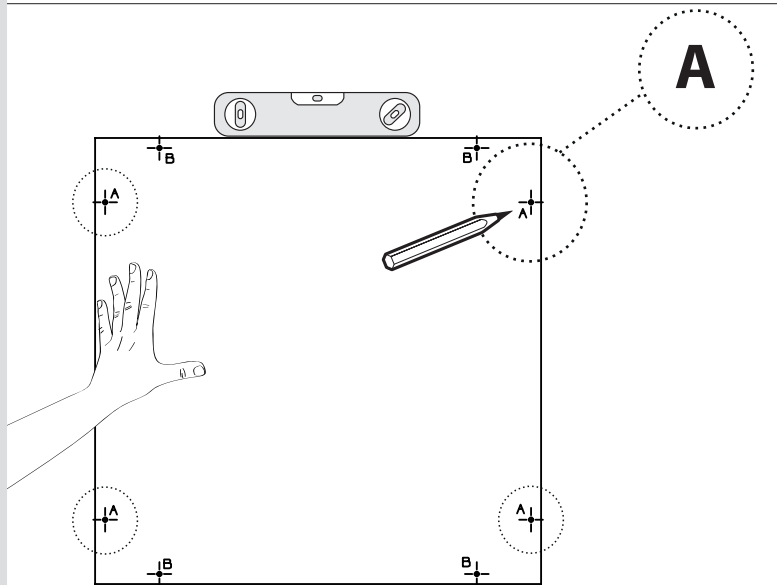
6



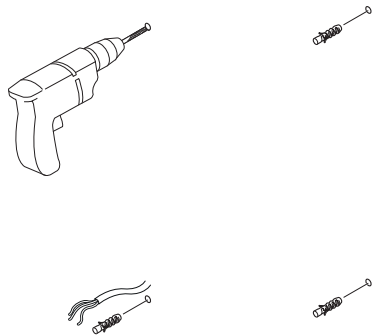
7

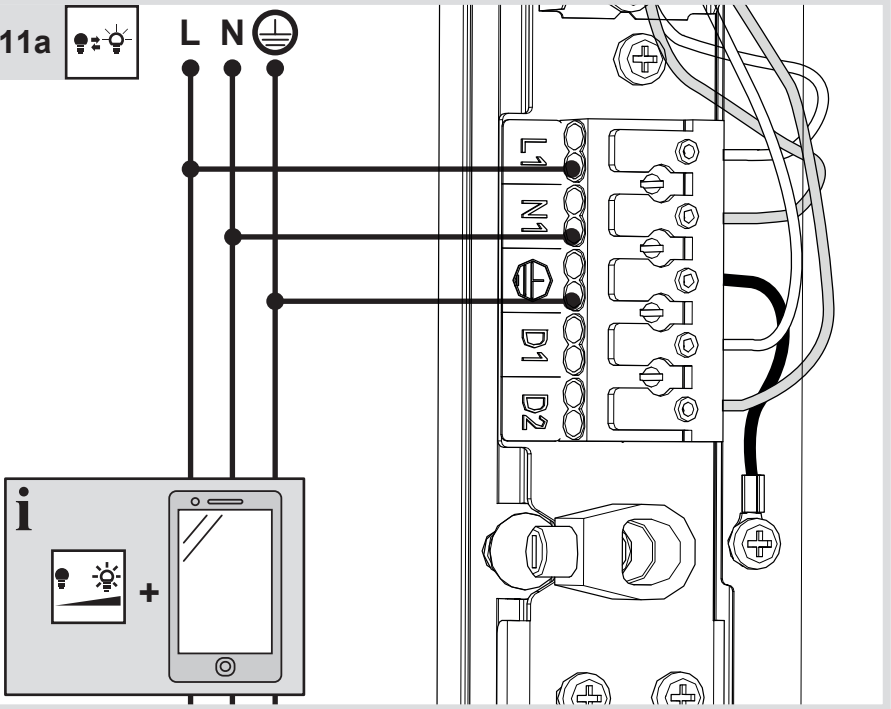
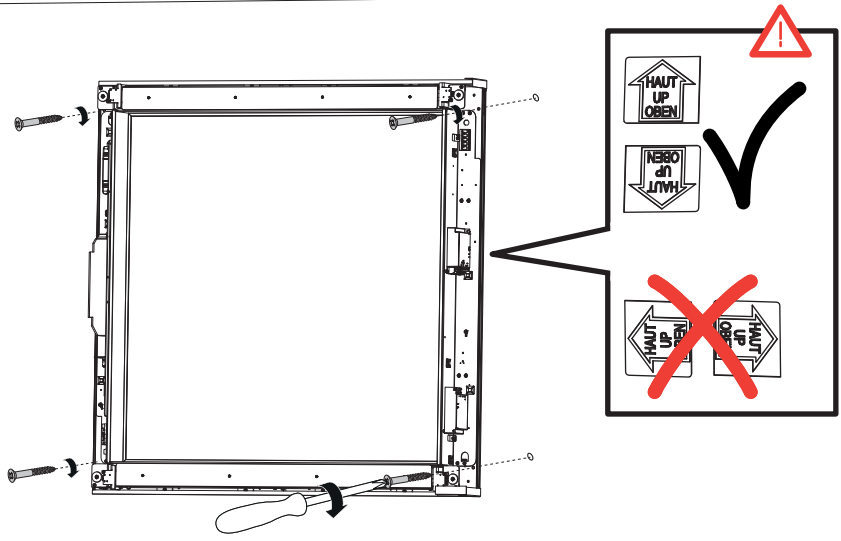


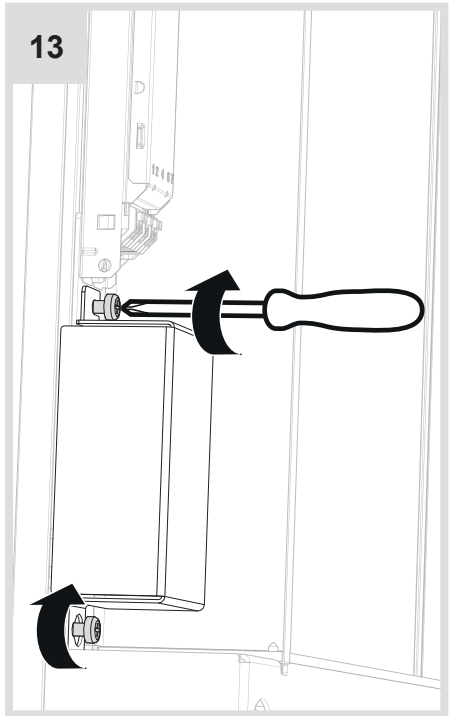
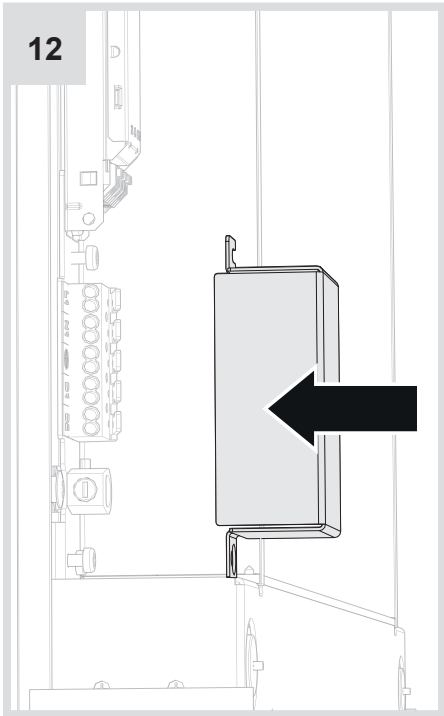
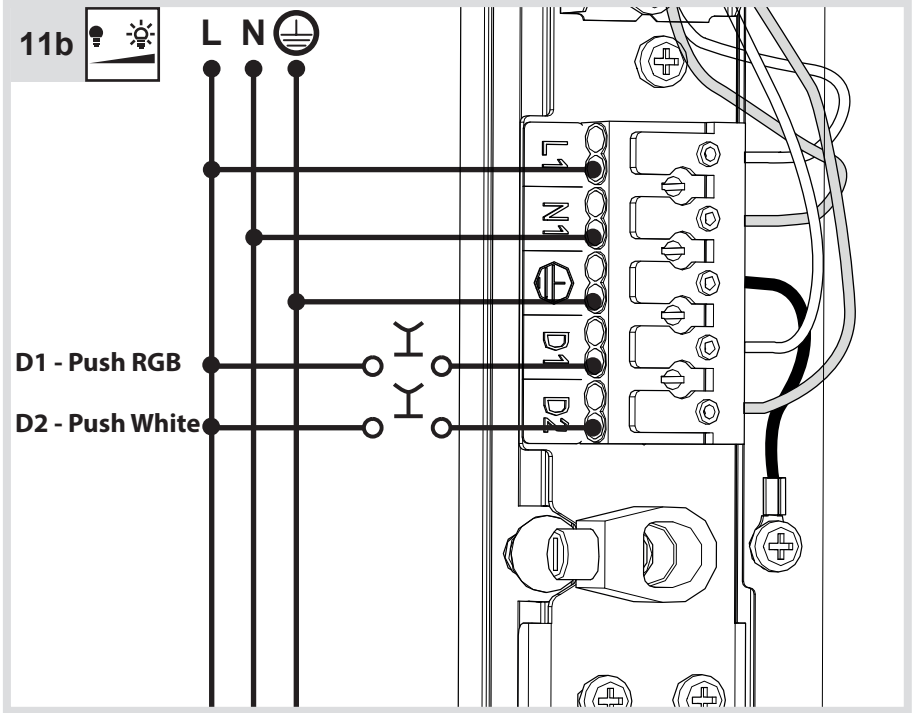
8

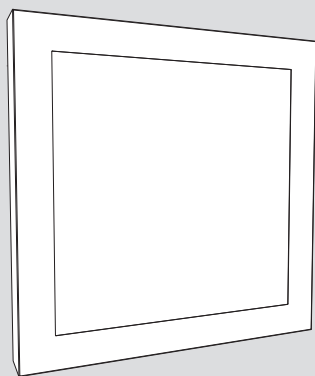
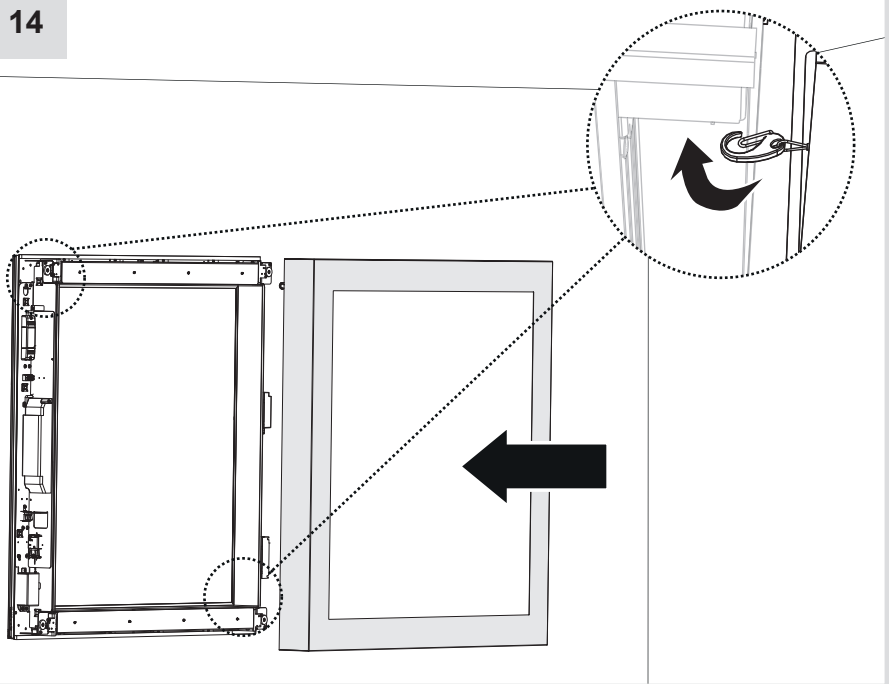


9



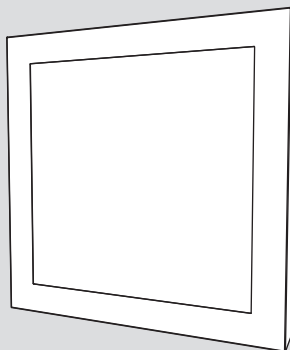
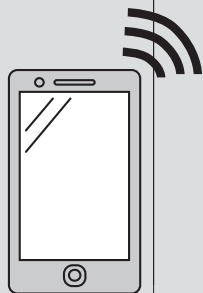








i

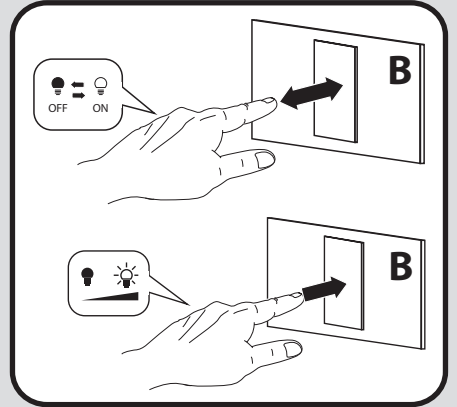
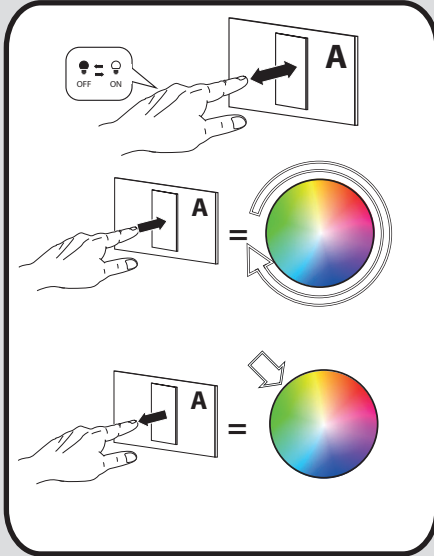
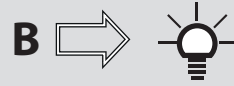
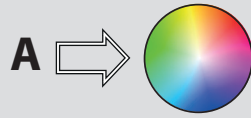
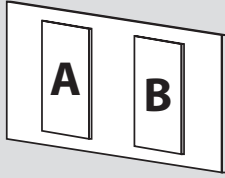


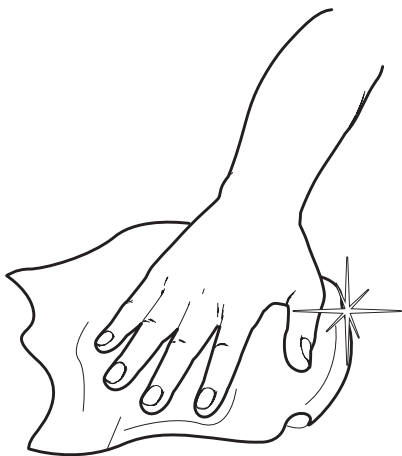
i



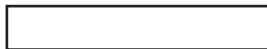


i





Artemide®



Artemide

via Bergamo, 18
20010 Pregnana M.se (MI)
ITALIA

tel. +39 02 935 181
fax +39 02 935 90 254
fax +39 02 935 90 496

www.artemide.com

VAT IT00846890150

cod. Y513000908B